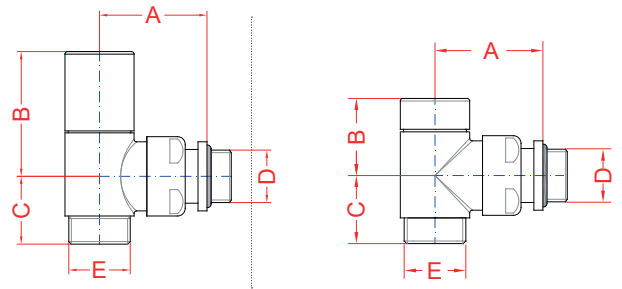


Angled valve and lockshield

Technical sheet



Technical characteristics	
Type of fluid	Acqua / soluzioni glicolate
Max. Glycol percentage	30%
Max. working pressure	10 bar
Max.differential pressure	0,8 bar (80 kPa)
Max. working temperature	110° C

Valve	D	E	A	B	C	Weight
	1/2"	3/4" EK	42 mm	49 mm	26 mm	0,264 KG

Materials	
Valve body	Brass EN12165-CW 617N-M
Rubber sealing components	EPDM peroxide
Steel parts	INOX ASI302
Plastic parts	ABS
Other brass components	Brass EN12164-CW 614N

Lockshield	D	E	A	B	C	Weight
	1/2"	3/4" EK	42 mm	30 mm	26 mm	0,264 KG

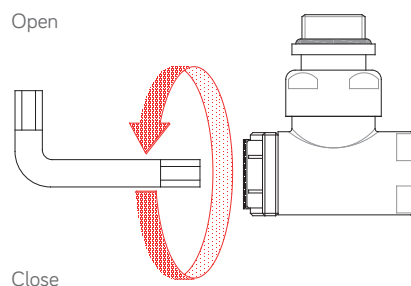
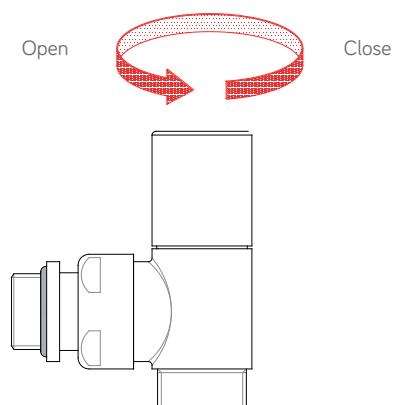
All technical characteristics are provided according to the European standard EN 215 "Thermostatic radiator valves. Requirements and test methods". Threads are in compliance with EN-ISO 228/1 standard.

Valve	Lockshield
<ul style="list-style-type: none"> 1 Valve body 2 Valve seat 3 O-Ring 4 Stem 5 Spindle 6 Union nut 7 Tailpiece 	<ul style="list-style-type: none"> 1 Cap 2 Spindle 3 Lockshield body 4 Union nut 5 Tailpiece 6 Shut off spindle 7 O-Ring

code	383864	383865	383866	383867	383868	383869	383870	383871
finish	RAL9016	VOV12	VOV09	VOV15	VOV08	VOV16	VOV13	Chrome

Angled valve and lockshield

Operating principle



Valve	Lockshield
<p>Turning the knob clockwise closes the valve, turning it counter-clockwise opens the valve. The balance with the lockshield can be done starting with the valve completely closed and opening it in proportion to the number of turns relative to the desired flow coefficient.</p> <p>Complete opening is obtained with about 4 turns.</p>	<p>To limit the maximum flow rate:</p> <ul style="list-style-type: none">- remove the cap by unscrewing it;- using a 6 mm Allen key, close the lockshield rotating it clockwise;- screw in the cap;